



TruckWings Parts Catalog

for Gen 3 TruckWings on Diesel Tractors

Rev C

06/02/23

Table of Contents

Proprietary Statement	3
Figure 1: Panels and Brackets (1 of 2)	4
Figure 1: Panels and Brackets (2 of 2)	5
Figure 2: Hinges, Harnesses, and Sensors	6
Figure 3: Interior Electronics and Harness Kits Telematics	7
Figure 4: Airflow and Actuator Kits	8
Figure 5: Tools and Accessories	9
Revision History	10

Proprietary Statement

The information provided within this manual is proprietary and confidential. All prior versions of this manual, including updates and revisions forwarded separately, are proprietary. The information provided by TruckLabs to its customers and clients is solely for the use of those customers and clients. No portion of this manual may be reproduced or distributed without express written consent of TruckLabs.

How To Use this Catalog

This visual parts catalog lists all repair kits and parts for TruckWings. For parts noted that are unique to a specific truck model, contact TruckLabs and provide truck make, model, cab type, and panel color. Repair parts are broken down by each TruckWings subsystem. Unless otherwise noted, each kit or part comes with all required hardware to complete the repair in one-touch.

How To Order Parts

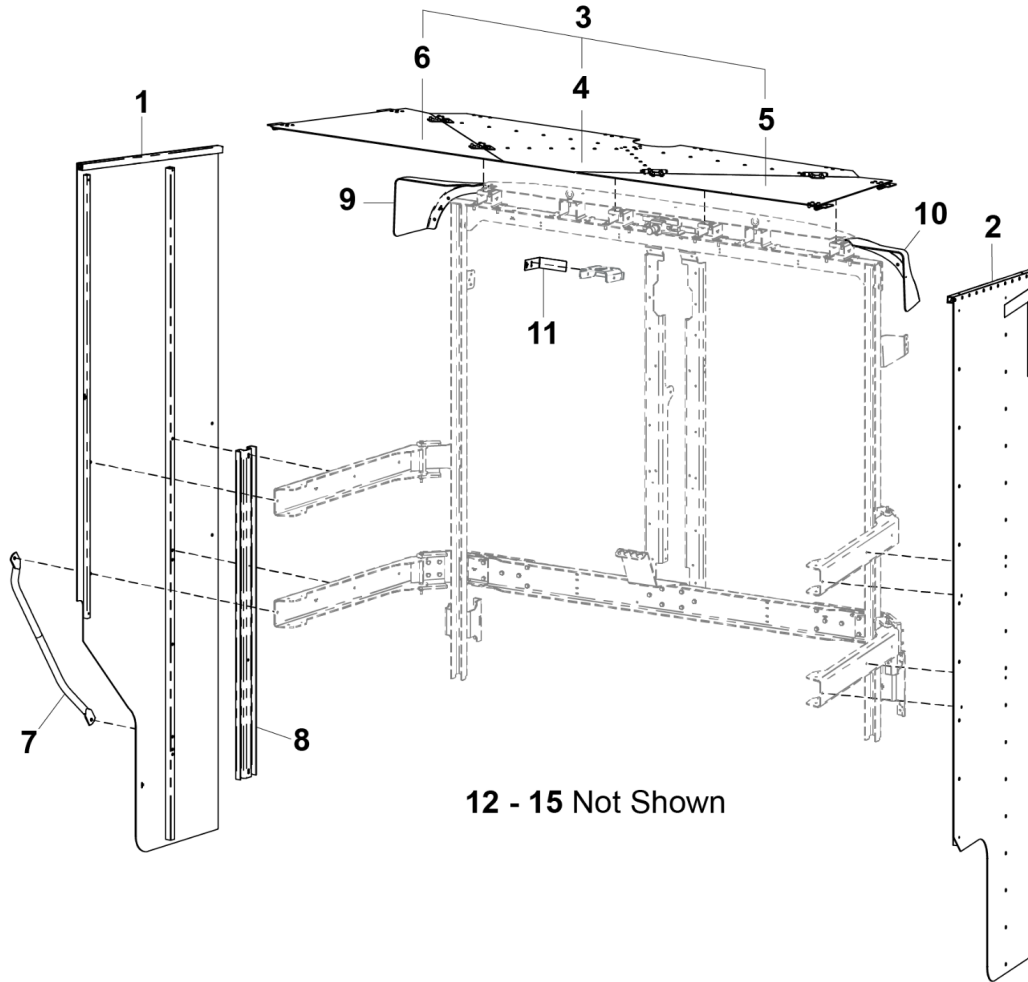
Once all required parts to complete a repair have been identified, please contact TruckWings Technical Support to request an itemized quote.

In addition to needed parts and quantities, please be ready to provide the following to help TruckLabs technicians identify the right part numbers for your TruckWings.

- Fleet Name
- Shipping & Billing Address
- Fleet Truck Number
- VIN (Last 6)
- Truck Year, Make, Model

(415) 857-0263 - support@truckwings.com

Figure 1: Panels and Brackets (1 of 2)

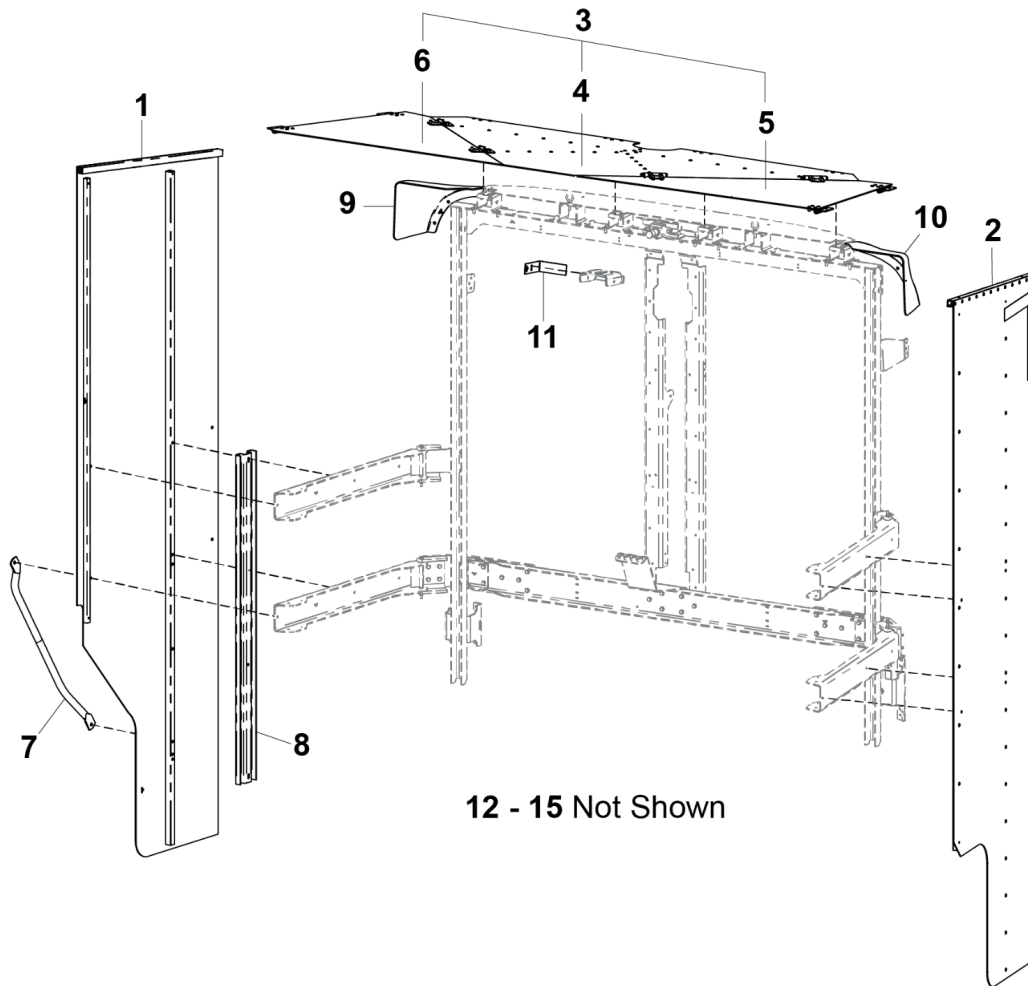


No.	Qty.	Part Description	TruckLabs P/N	Notes
1	1	SIDE PANEL ASSY, DRIVER (REQUIRES FASTENER KIT XS-004098-1)	To order, contact TruckLabs and provide truck make, model, cab type, and panel color.	1
2	1	SIDE PANEL ASSY, PASSENGER (REQUIRES FASTENER KIT XS-004098-1)		1
3	1	UPPER PANEL ASSY (REQUIRES FASTENER KIT XS-004098-2)		1
4	1	TRAPEZOID ASSY (REQUIRES FASTENER KIT XS-004098-3)		1
5	1	PASSENGER TRIANGLE ASSY (REQUIRES FASTENER KIT XS-004098-4)		1
6	1	DRIVER TRIANGLE ASSY (REQUIRES FASTENER KIT XS-004098-4)		1

Notes:

1. Order corresponding fastener kit for EACH panel assembly ordered.

Figure 1: Panels and Brackets (2 of 2)

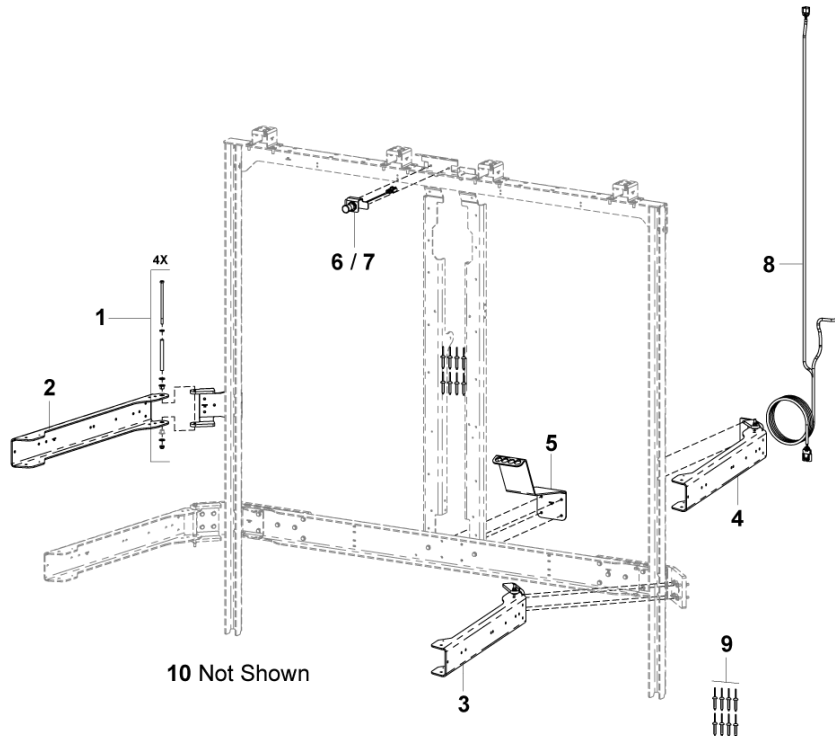


No.	Qty.	Part Description	TruckLabs P/N	Notes
7	1	GRAB HANDLE KIT	XS-010329-3	
8	1	GRAB HANDLE REINFORCEMENT	XS-010969-1	
9	1	AERO COVER KIT, DRIVER	To order, contact TruckLabs and provide truck make, model, and cab type.	
10	1	AERO COVER KIT, PASSENGER		
11	1	VERIFIED DEPLOYMENT SHIELD	XS-200526-1	
12	1	SIDE PANEL FASTENER KIT	XS-004098-1	2
13	1	UPPER PANEL FASTENER KIT	XS-004098-2	2
14	1	TRAPEZOID PANEL FASTENER KIT	XS-004098-3	2
15	1	TOP TRIANGLE FASTENER KIT	XS-004098-4	2

Notes:

2. Not shown in illustration.

Figure 2: Hinges, Harnesses, and Sensors



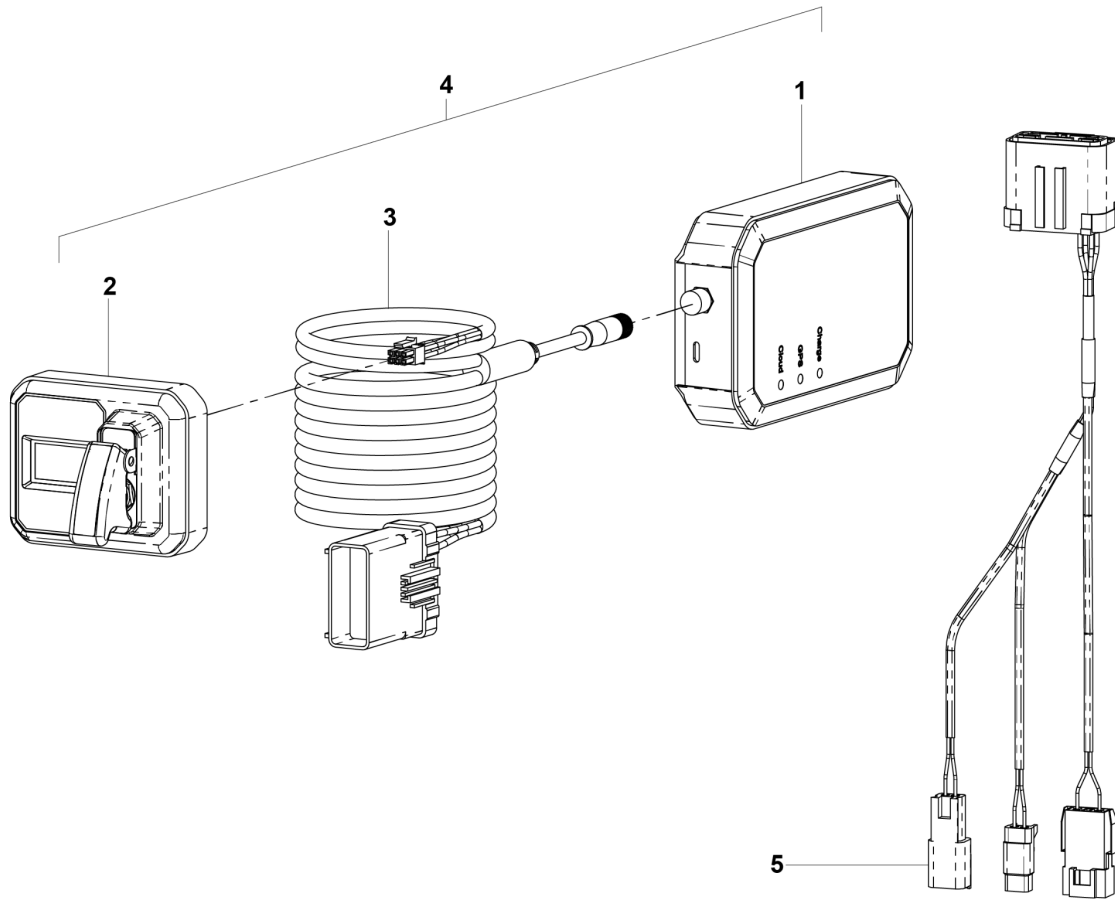
No.	Qty.	Part Description	TruckLabs P/N	Notes
1	1	SIDE PANEL HINGE BUSHING KIT, X02	XS-004002-1	1
2	4	SIDE PANEL HINGE ARM	XS-004008-1	2
3	2	SIDE PANEL HINGE REPLACEMENT KIT, LOWER	XS-004004-1	3
4	2	SIDE PANEL HINGE REPLACEMENT KIT, UPPER	XS-004003-1	3
5	1	AIR HOSE MOUNT REPLACE KIT	XS-010060-2	
6	1	DISTANCE SENSOR KIT, TELEMATICS	XS-E0055-1	4
8	1	EXTERIOR HARNESS KIT	XS-E0032-KIT	
9	1	CAB RIVET KIT, 8 PC	XS-004099-25	
10	1	HARNESS ROUTING KIT, FULL	XS-0040098-17	

Notes:

1. This item includes parts for **all four hinges**. Order Qty 1 for PM bushing service.
2. Order this item if bushings have failed and the bushing hole in the panel hinge arm is worn. Includes bushings.
3. Order this item in lieu of Items 1 and 2 if bushings have failed and panel arm and cab hinge are worn or significantly damaged.
4. If Distance Sensor is mounted directly above the Air Hose Mount (No. 5), contact TruckLabs for required accessory bracket.

Figure 3: Interior Electronics and Harness Kits

Telematics



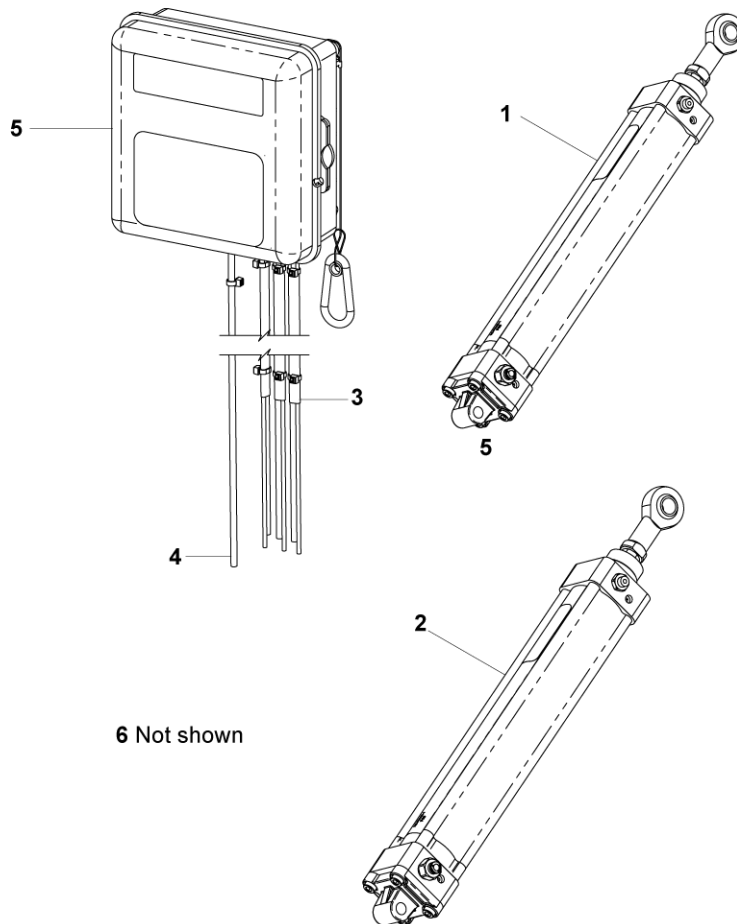
No.	Qty.	Part Description	TruckLabs P/N	Notes
1	1	TRUCKLABS TELEMATICS	XS-E1402-1	
2	1	TRUCKWINGS CONTROLLER	XS-E0120-1	
3	1	CAN HARNESS, TELEMATICS (Volvo/Mack, Kenworth/Peterbilt)	XS-E0024-1-1	
3	1	CAN HARNESS, TELEMATICS (Freightliner, International)	XS-E0024-1-14	
4	1	KIT, TRUCKLABS TELEMATICS	XS-E0130-1	1
5	1	CAN ADAPTER, VOLVO	XS-E0073-1	2

Notes:

Contact TruckLabs for Part Inquiries - (415) 857-0263 - support@truckwings.com

1. Includes items 1, 2, and 3. Vehicles with a legacy CarbonConnect controller may be updated by ordering this kit.
2. For Volvo/Mack use ONLY

Figure 4: Airflow and Actuator Kits



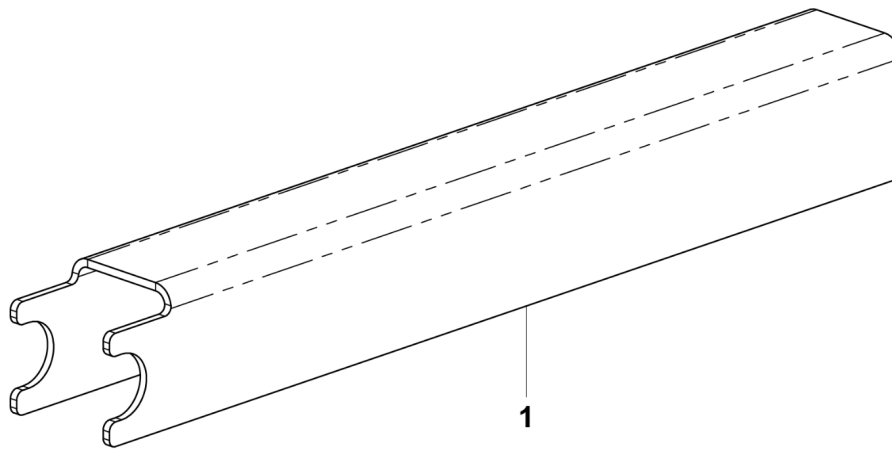
No.	Qty.	Part Description	TruckLabs P/N	Notes
1	1	ACTUATOR, COMPLETE, TOP, KIT, X02	XS-P8494-1	
2	2	ACTUATOR, COMPLETE, BOTTOM, X02	XS-P8495-1	
3	3	ACTUATOR HOSE BUNDLE	XS-P8104-1	1,2
4	1	TRACTOR AIR SUPPLY HOSE	XS-P8105-1	2
5	1	AIRFLOW CONTROL ASSY	XS-P8101-2	2
6	1	ACTUATOR / FRAME ROUTING KIT	XS-004099-18	3

Notes:

1. Includes a single hose pair bundle for one actuator connection.
2. Order item 6 with this item.
3. Includes fasteners for installation of three hose pairs and air supply hose. Does not include hoses.

Contact TruckLabs for Part Inquiries - (415) 857-0263 - support@truckwings.com

Figure 5: Tools and Accessories



No.	Qty.	Part Description	TruckLabs P/N	Notes
1	1	ACTUATOR PROP SERVICE TOOL	XS-010782-1	
Notes:				

Revision History

Rev.	Author	Revision History Description	Release Date
A	A. Kelly	Initial Release	10/11/2022
B	A. Kelly	Preamble correction	03/01/2023
C	A. Kelly	Actuator rebuild kits removed from catalog. Cab rivet kit added.	06/02/2023