



**TruckWings**  
**Recommended Service Inventory**  
**XS-TD22015**

**REV C**

**2023/07/11**

## Table of Contents

<b>1 Scope</b>	<b>3</b>
<b>2 Planned Service Inventory</b>	<b>3</b>
<b>3 Unplanned Service Inventory</b>	<b>3</b>
<b>4 Shop Tools</b>	<b>4</b>
<b>5 Revision History</b>	<b>5</b>

# 1 Scope

This document defines recommended service inventory levels for shops and technicians maintaining TruckWings units.

# 2 Planned Service Inventory

As outlined in TruckWings: *Preventive Maintenance Guide*, a replacement of the TruckWings Side Panel Hinge Bushings is recommended at an interval not to exceed 150,000 miles or 1 year.

Qty.	Part Description	TruckLabs P/N
1 per unit per 150k / 1 yr	SIDE PANEL HINGE BUSHING KIT, COMPLETE	Model-specific. Reference provided parts catalog.

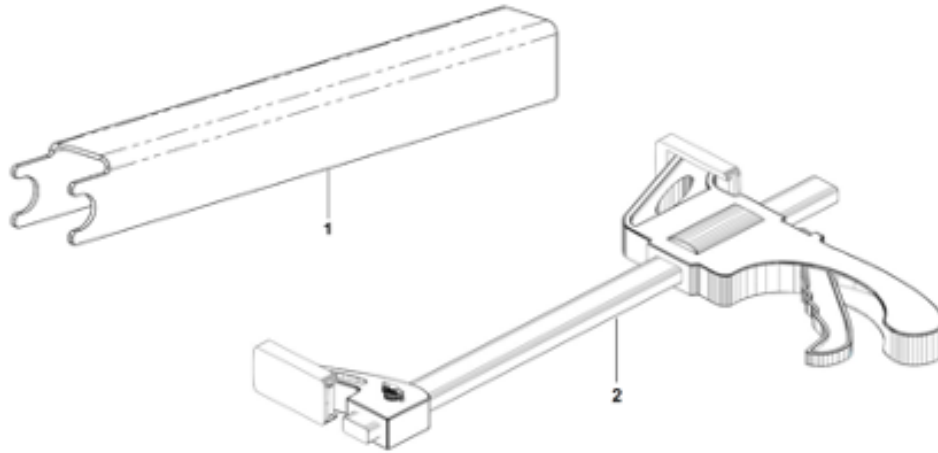
# 3 Unplanned Service Inventory

The following parts and quantities are recommended stock levels to cover routine service of TruckWings over a period of 12 - 16 months. Quantities are given against a fleet population of 10 units.

Qty. / 10 Units	Part Description	TruckLabs P/N
2	GRAB HANDLE KIT	Model-specific. Reference provided parts catalog.
2	GRAB HANDLE REINFORCEMENT	
2	ACTUATOR COMPLETE KIT, TOP	
4	ACTUATOR COMPLETE KIT, BOTTOM	
2	AIRFLOW CONTROL ASSY	
2	DISTANCE SENSOR KIT	
2	TRUCKWINGS CONTROLLER	
1	AERO COVER KIT, DRIVER	If equipped, model-specific. Reference provided parts catalog.
1	AERO COVER KIT, PASSENGER	

## 4 Shop Tools

The following tools are recommended to safely service and maintain TruckWings.



Qty.	Part Description	TruckLabs P/N
1	ACTUATOR PROP SERVICE TOOL	XS-010782-1
1	BUSHING SERVICE SPREADER TOOL <i>For MY2022 and earlier CNG systems only</i>	XS-010783-1

## 5 Revision History

<b>Rev.</b>	<b>Author</b>	<b>Revision History Description</b>	<b>Release Date</b>
A	A. Kelly	Initial Release	05/27/2022
B	A. Kelly	Added Hinge Spreader Tool for early CNG units	10/28/2022
C	A. Kelly	Removed rebuild kits, add control valve.	07/11/2023